



CE / ETA APPROVED ANCHORS

PLUG + SCREW

SMART wall plug with hex lag screw DIN 571



12 x 60	8 x 70	14 x 70	10 x 80
	8 x 80		10 x 100
	8 x 90		10 x 120
	8 x 100		10 x 140
	8 x 120		10 x 160
	8 x 140		10 x 180
	8 x 160		10 x 200

Long SMART wall plug with collar with hex lag screw DIN 571



10 x 70	8 x 80	10 x 70	8 x 120
	8 x 90		8 x 140
	8 x 100		8 x 160

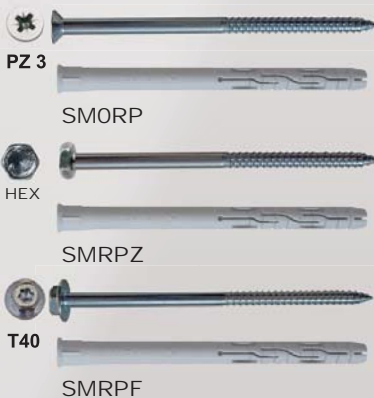
Long SMART wall plug with collar with universal screw



8 x 60	6,0 x 70	8 x 60	6,0 x 100
	6,0 x 80		6,0 x 120
	6,0 x 90		

FRAME PLUGS

SMART frame plug with countersunk collar and screw



Available dimensions

10 x 80	10 x 160
10 x 100	10 x 180
10 x 120	10 x 200
10 x 140	10 x 230

SMART frame plug with cylindrical collar and screw

Especially for metal profiles



Available dimensions

10 x 100	10 x 140
10 x 120	10 x 160

SMART KA. Through bolt ETA 1



Advantages at a glance

- ✔ Universal application in cracked and non-cracked concrete.
- ✔ ETA option 1 for cracked concrete.
- ✔ Marking with anchor size and maximum fixture thickness.
- ✔ Available in diameters 8 - 16mm in both zinc plated and stainless steel A4.
- ✔ Perfect for the fixing of steel constructions, gates, staircases, railings etc.

Suited for



Concrete



Natural stone
with dense structure

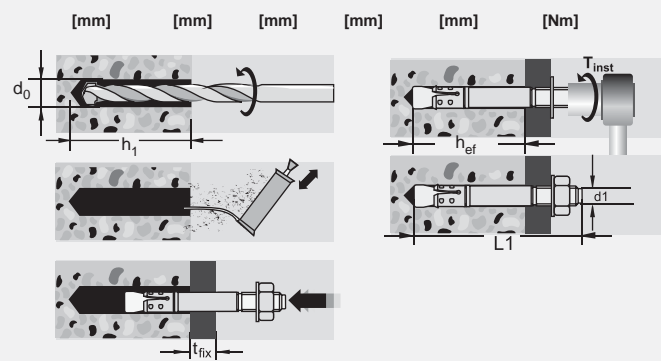


Solid brick
(max. M8)

d1xL1	d ₀	h ₁	h _{ef}	t _{fix}	T _{inst}
M 8x 72	8	60	45	10	20
M 8x 92	8	60	45	30	20
M 8x112	8	60	45	50	20
M10x 92	10	75	60	10	35
M10x102	10	75	60	20	35
M10x112	10	75	60	30	35
M10x132	10	75	60	50	35
M10x162	10	75	60	80	35
M12x103	12	90	70	5	50
M12x118	12	90	70	20	50
M12x128	12	90	70	30	50
M12x148	12	90	70	50	50
M12x163	12	90	70	65	50
M12x178	12	90	70	80	50
M16x123	16	110	85	5	120
M16x138	16	110	85	20	120
M16x168	16	110	85	50	120

European Technical Approval -
Option 1 for cracked concrete

ETA-10/0472



SMART SMK. Through bolt ETA 7



Advantages at a glance

- ✓ Universal application in concrete for static and quasi-static loads.
- ✓ ETA option 7 for non-cracked concrete.
- ✓ Marking with anchor size and 2 setting depth indications.
- ✓ Available in diameters 6 - 20mm.
- ✓ Perfect for the fixing of steel constructions, gates, staircases, railings etc.

Suited for



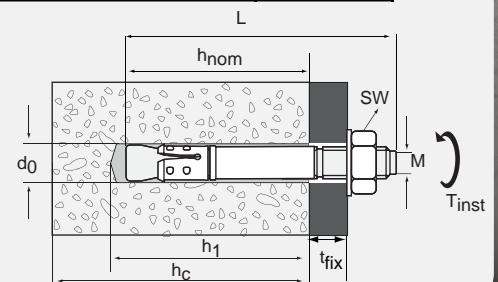
INSTALLATION DATA

	Size	d_0	h_1	h_{nom}	h_c^{min}	t_{fix}^{max}	T_{inst}	SW
Standard embedment depth	mm	mm	mm	mm	mm	mm	Nm	mm
	M6	6	55	50	100	L-58	7	10
	M8	8	65	60	100	L-70	20	13
	M10	10	70	67	110	L-80	35	17
	M12	12	85	77	130	L-92	60	19
	M14	14	100	92	150	L-108	90	21
	M16	16	110	104	168	L-122	120	24
M20	20	135	125	206	L-147	240	30	

	Size	d_0	h_1	h_{nom}	h_c^{min}	t_{fix}^{max}	T_{inst}	SW
Reduced embedment depth	mm	mm	mm	mm	mm	mm	Nm	mm
	M6	6	55	-	100	L-58	7	10
	M8	8	65	47	100	L-70	20	13
	M10	10	70	54	110	L-80	35	17
	M12	12	85	62	130	L-92	60	19
	M14	14	100	-	150	L-108	90	21
	M16	16	110	-	168	L-122	120	24
M20	20	135	-	206	L-147	240	30	

CE 1219 / 11
pgb-Polska sp. z.o.o.

1219-CPD-0044
Through bolt type SMK, SMKI
ETA-11/0474
ETAG 001 - Option 7
European Technical Approval
Option 7 for non-cracked concrete



Setting depth

Size indication

Type indication with
SMART logo